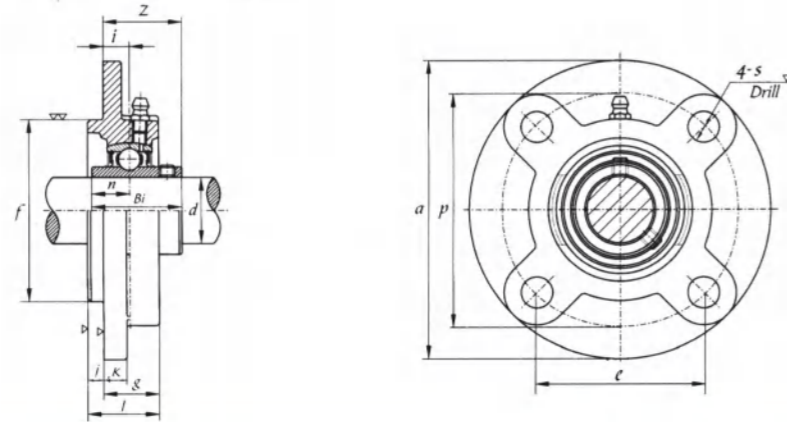


凸台圆形座
Flang Cartridge Units

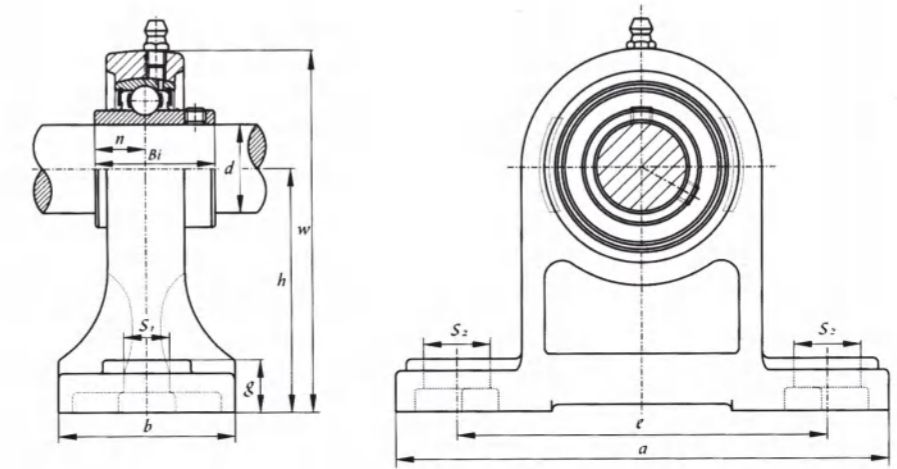
UCFC 200 (normal-duty)



带座轴承代号 Bearing Unit No.	轴径 Shaft Dia.		外形尺寸(毫米) Dimensions (mm)														螺栓 Bolt Used		Bearing No.	Housing No.	重量 Weight (kg)
	(in.)	(mm)	a	p	e	i	l	s	j	k	g	f	z	Bi	n	(mm)	(in.)				
UCFC201 201-8	1/2	12	100	78	55.116	10	25.5	12	5	7	20.5	62	28.3	31.0	12.7	M10	3/8	UC201 201-8	FC201	0.71	
UCFC202 202-10	5/8	15	100	78	55.1	10	25.5	12	5	7	20.5	62	28.3	31.0	12.7	M10	3/8	UC202 202-10	FC202	0.69	
UCFC203 203-11	11/16	17	100	78	55.1	10	25.5	12	6	7	20.5	62	28.3	31.0	12.7	M10	3/8	UC203 203-11	FC203	0.68	
UCFC204-12 204	3/4	20	100	78	55.1	10	25.5	12	6	7	20.5	62	28.3	31.0	12.7	M10	3/8	UC204-12 204	FC204	0.66	
UCFC205-14 205-15 205 205-16	7/8 15/16 1	25	115	90	63.6	10	2/7	12	6	7	21	70	29.7	34.1	14.3	M10	3/8	UC205-14 205-15 205 205-16	FC205	0.92	
UCFC206-18 206 206-19 206-20	1 1/8 1 3/16 1 1/4	30	125	100	70.7	10	31	12	8	8	23	80	32.2	38.1	15.9	M10	3/8	UC206-18 206 206-19 206-20	FC206	1.21	
UCFC207-20 207-21 207-22 207 207-23	1 1/4 1 5/16 1 3/8 1 7/16	35	135	110	77.8	11	34	14	8	9	26	90	36.4	42.9	17.5	M12	7/16	UC207-20 207-21 207-22 207 207-23	FC207	1.50	
UCFC208-24 208-25 208	1 1/2 1 9/16	40	145	120	84.8	11	36	14	10	9	26	100	41.2	49.2	19.0	M12	7/16	UC208-24 208-25 208	FC208	1.87	
UCFC209-26 209-27 209-28 209	1 5/8 1 11/16 1 3/4	45	160	132	93.3	10	38	16	12	14	26	105	40.2	49.2	19.0	M14	1/2	UC209-26 209-27 209-28 209	FC209	2.34	
UCFC210-30 210-31 210	1 7/8 1 15/16	50	165	138	97.6	10	40	16	12	14	28	110	42.6	51.6	19.0	M14	1/2	UC210-30 210-31 210	FC210	2.72	
UCFC211-32 211-34 211 211-35	2 2 1/8 2 3/16	55	185	150	106.1	13	43	19	12	15	31	125	46.4	55.6	22.2	M16	5/8	UC211-32 211-34 211 211-35	FC211	3.66	
UCFC212-36 212 212-38 212-39	2 1/4 2 3/8 2 7/16	60	195	160	113.1	17	48	19	12	15	36	135	56.7	65.1	25.4	M16	5/8	UC212-36 212 212-38 212-39	FC212	4.58	
UCFC213-40 213	2 1/2	65	205	170	120.0	16	50	19	14	15	36	145	55.7	65.1	25.4	M16	5/8	UC213-40 213	FC213	5.07	
UCFC214-44 214	2 3/4	70	215	177	125.1	17	54	19	14	18	40	150	61.4	74.6	30.2	M16	5/8	UC214-44 214	FC214	6.15	
UCFC215 215-48	3	75	220	184	130.1	18	56	19	16	18	40	160	62.5	77.8	33.3	M16	5/8	UC215 215-48	FC215	6.79	
UCFC216		80	240	200	141.4	18	58	23	16	18	18	170	67.3	82.6	33.3	M20	3/4	UC216	FC216	8.01	
UCFC217-52 217	3 1/4	85	250	208	147.1	18	63	23	18	20	45	180	69.6	85.7	34.1	M20	3/4	UC217-52 217	FC217	9.18	
UCFC218-56 218	3 1/2	90	265	220	155.5	22	68	23	18	20	50	190	78.3	96.0	39.7	M20	3/4	UC218-56 218	FC218	11.3	

高中心立式座
Pillow Blocks
(High center height)

UCPH 200 (normal-duty)



带座轴承代号 Bearing Unit No.	轴径 Shaft Dia.		外形尺寸(毫米) Dimensions (mm)										螺栓 Bolt Used		Bearing No.	Housing No.	重量 Weight (kg)
	(in.)	(mm)	h	a	e	b	s ₂	s ₁	g	w	Bi	n	(mm)	(in.)			
UCPH201 201-8	1/2	12	70	127	95	40	19	13	15	101	31.0	12.7	M10	3/8	UC201 201-8	PH201	0.96
UCPH202 202-10	5/8	15	70	127	95	40	19	13	15	101	31.0	12.7	M10	3/8	UC202 202-10	PH202	0.96
UCPH203 203-11	11/16	17	70	127	95	40	19	13	15	101	31.0	12.7	M10	3/8	UC203 203-11	PH203	0.96
UCPH204-12 204	3/4	20	70	127	95	40	19	13	15	101	31.0	12.7	M10	3/8	UC204-12 204	PH204	0.96
UCPH205-14 205-15 205 205-16	7/8 15/16 1	25	80	140	105	50	19	13	16	114	34.1	14.3	M10	3/8	UC205-14 205-15 205 205-16	PH205	1.2
UCPH206-18 206 206-19 206-20	1 1/8 1 3/16 1 1/4	30	90	165	121	50	21	17	18	130	38.1	15.9	M14	1/2	UC206-18 206 206-19 206-20	PH206	1.6
UCPH207-20 207-21 207-22 207 207-23	1 1/4 1 5/16 1 3/8 1 7/16	35	95	167	127	60	21	17	18	140	42.9	17.5	M14	1/2	UC207-20 207-21 207-22 207 207-23	PH207	2.0
UCPH208-24 208-25 208	1 1/2 1 9/16	40	100	184	137	70	21	17	20	150	49.2	19.0	M14	1/2	UC208-24 208-25 208	PH208	2.7
UCPH209-26 209-27 209-28 209	1 5/8 1 11/16 1 3/4	45	105	190	146	70	21	17	20	158	49.2	19.0	M14	1/2	UC209-26 209-27 209-28 209	PH209	3.0
UCPH210-30 210-31 210 210-32	1 7/8 1 15/16 2	50	110	206	159	70	22	20	22	165	51.6	19.0	M16	5/8	UC210-30 210-31 210 210-32	PH210	3.5